

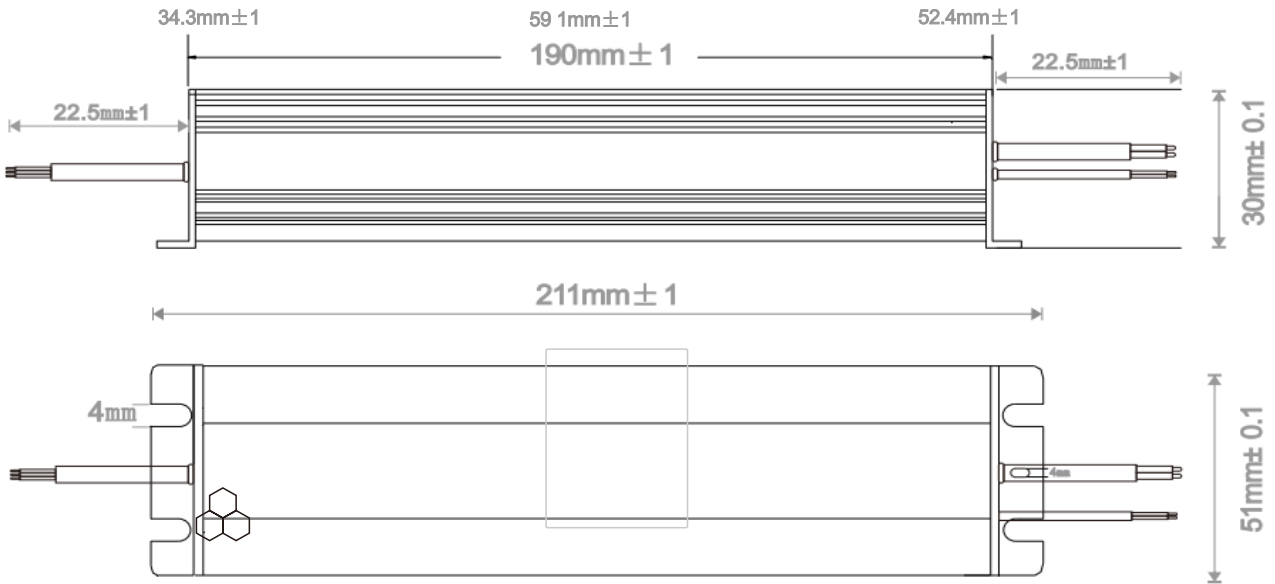

**Features :**

- 170-264VAC
- Protections: Short circuit/Overload/Over voltage.
- Encapsulated with IP67 level.
- Cooling by free air convection.
- 100% full load burn-in test.
- 3 year warranty.
- Support: Phase&0/1-10V

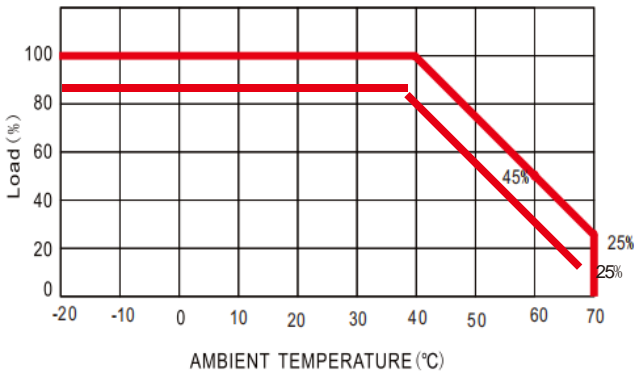
**Specification**
**CE RoHS BIS SELV IP67**

	Model	DR-LD-60W-12D-IP67	DR-LD-60W-24D-IP67
Output	DC Voltage	12V	24V
	Voltage Tolerance	±0.5V	
	Rated Current	0 - 5.0A	0 - 2.5A
	Rated Power	60W	60W
	Ripple & Noise	120mVp-p	150mVp-p
Input	Voltage Range	170-264VAC	
	Frequency Range	50~60HZ	
	Power Factor	PF ≥0.55/220VAC (Full loading)	
	Full Load Efficiency(Typ.)	81%	82%
	AC Current (Max.)	0.45A	0.45A
	Leakage current	<0.5mA/260VAC	
	Inrush current	≤40A	
Protection	Short Circuit	Protection type: Hiccup mode, recovers automatically after fault condition is removed.	
	Over Load	Hiccup mode, recovers automatically after fault condition is removed.	
	VIBRATION	10-500Hz 2G10min	
	BURNT- IN TEST	Input voltage : 220V 50Hz rated output current 25°C Bum-in 2h	
Environment	Over temperature	100°C±10°C shut down o/p voltage, re-power on to recover	
	Working TEMP.	-20 ~ +50°C	
	Working Humidity	20~60%RH,non-condensing	
	Storage TEM. , Humidity	-20~ +85% , 10~95%RH	
	START RISE HOLD TIME	1500ms, 20ms, 50ms/230VAC at full load	
Safety & EMC	Vibration	10 -500Hz, 5G 12min./1 cycle, period for 60min.each along X,Y,Z axes.	
	Safety standards	CE Mark	
	Withstand voltage	I/P-O/P:1.5KVAC I/P-GND:1.5KVAC	
	EMC Immunity	EN IEC 55015:2019, EN IEC61547:2009, EN 61000-3-2:2019, EN 61000-3-3:2013+A1:2019	
Others	Weight	0.51 KG/PC	
	Dimension	211x51x30mm (LxWxH)	
	Packing	40 PCS/CTN	
Notes	1. All parameters NOT specially mentioned are measured at 230VAC input , rated load and 25C of ambient temperature. 2. Tolerance: includes set up tolerance, line regulation and load regulation . 3. The power supply is considered as a component that will be operated in combination with final Equipment. Since EMC performance will be affected by the complete installation, the final equipment manufactures must be-qualify EMC Directive on the complete installation again.		

**Mechanical Specification**



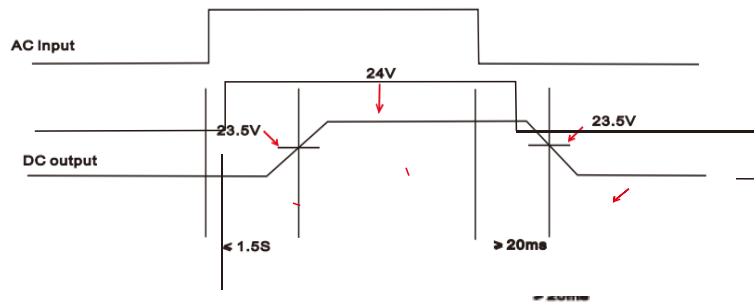
**Derating Curve:**



**Package:**

DIMENSION	211x51x30 (mm) (L■W■H)
CARTON QUANTITY	40 pcs/Carton
CARTON SIZE	37x30x29.5CM
WEIGHT	510 G/PC

**Switching Time Curve:**



**Dimming Wiring Diagram:**

